

IMPULSE^{us}
ACOUSTICS

FC-1500

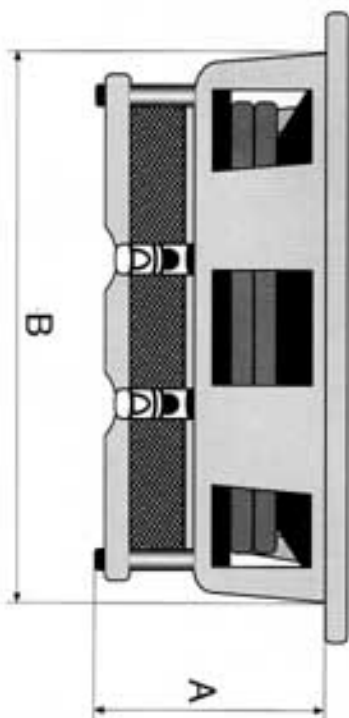
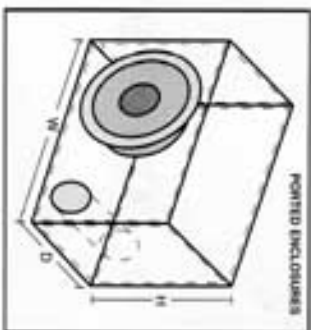
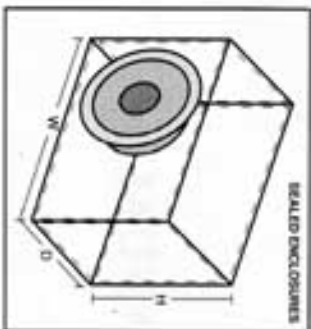
OWNER'S MANUAL

RECOMMENDED ENCLOSURES

MODEL NO.	SEALED ENCLOSURES		PORTED ENCLOSURES	
	Volume (net Int.)	External Dimensions (width x height x depth)	Volume (net Int.)	External Dimensions (width x height x depth) - (inside dia. x length) Port
FC-1500	34 L	410 mm x 355 mm x 250 mm	57 L	512 mm x 355 mm x 305 mm 80 mm x 225 mm

REMARK:

- FOR BEST RESULTS, MATERIALS USED TO BUILD ENCLOSURES SHOULD BE AT LEAST 3/4"(19MM) TO 1"(25MM) IN THICKNESS.
- ALL ENCLOSURE DIMENSIONS LISTED ARE EXTERNAL DIMENSIONS USING 3/4"(19MM) TO 1"(25MM) MATERIAL THICKNESS.
- ALL ENCLOSURE VOLUMES LISTED ARE NET INTERNAL VOLUMES
- ALL MEASUREMENTS REFLECT THE USE OF A SINGLE WOOFER PER ENCLOSURE.
- IF USING MORE THAN ONE SUBWOOFER IN A COMMON ENCLOSURE: TWO SUBWOOFERS: DOUBLE THE REQUIRED VOLUME, DIMENSIONS, AND PORTS. THREE SUBWOOFERS: TRIPLE THE REQUIRED VOLUME, DIMENSIONS, AND PORTS.



SUBWOOFER SPECIFICATIONS

SUBWOOFER:	FC-1500
A	100
B	284
Fs(free air resonance):	32 Hz
Qts(total speaker "Q"):	0.9178
Qes(electrical "Q"):	1.1153
Qms(mechanical "Q"):	5.1834
Vas(equivalent compliance):	38 L
Efficiency (W/lm):	87 dB
Sd(piston surface area):	0.0498 m
Re(DC resistance):	3.2 Ω
Nominal impedance:	4 Ω
Mounting depth:	100 mm
Mounting hole diameter:	284 mm